

Features

- Wide range AC input
- Level B EMI filter
- Fully regulated output
- High efficiency
- High quality

Environmental

Operating Temperature

0°C to +50°C ambient

Storage Temperature

-20°C to +80°C ambient

EMI

Meet FCC Class B
CISPR 22 Class B
VCCI Class B

Safety

UL UL1950
CUL CSA 22.2 NO. 950
TUV EN 60950
IEC 950

Electrical Specifications

Input

Voltage 90-254 VAC (wide range)
Current 1.0Arms Max.
Frequency 47-63 Hz

Output

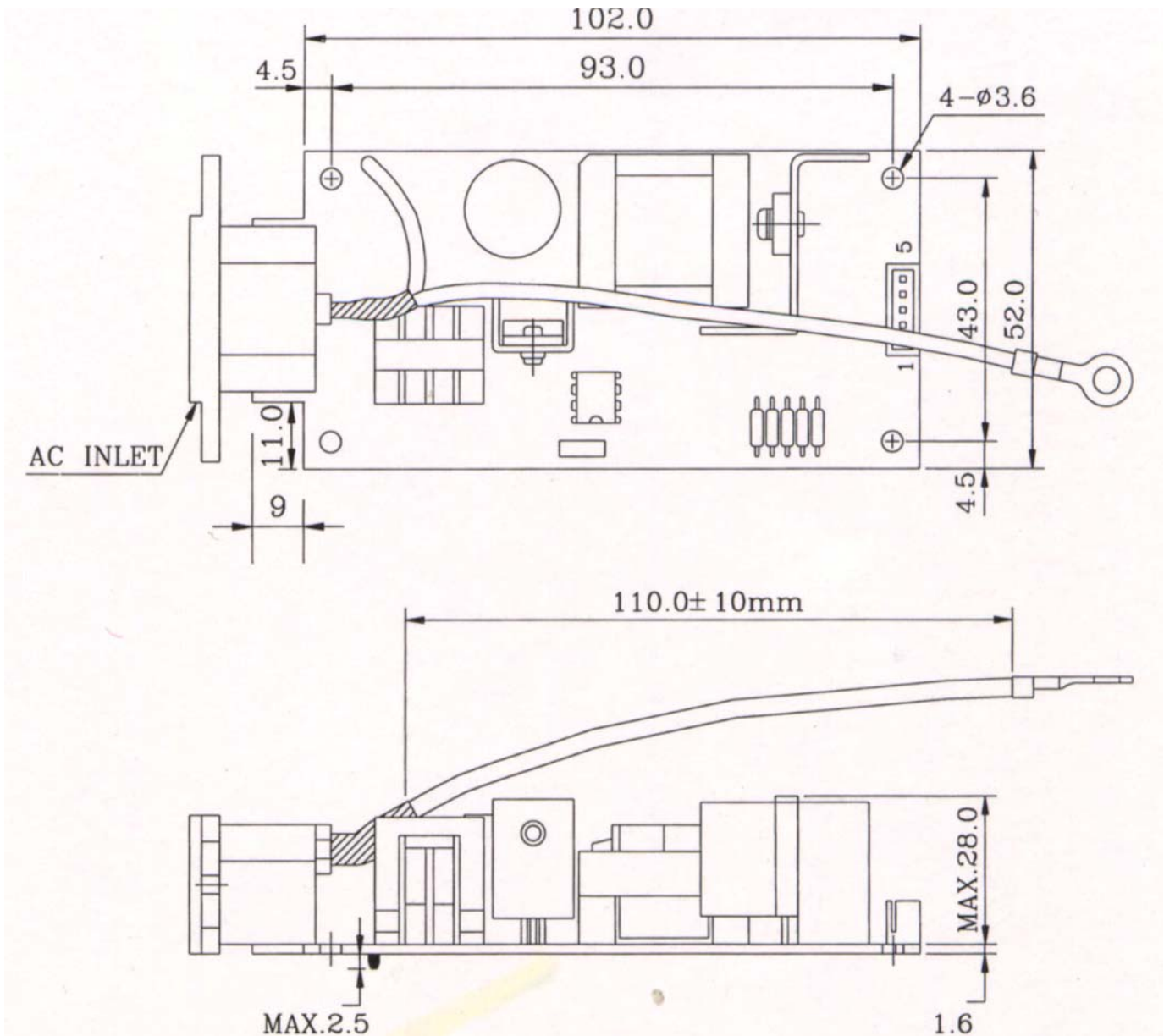
Voltage *See table*
Tolerance *See table*
Power 25W
Hold up time 12ms minimum at full load, 115VAC
Over voltage protection *See table*
Over power protection 150% of maximum load
Short circuit protection Pulsing mode. Auto recovery
Efficiency 75% nominal at full load and 115VAC
Ripple/Noise (Vp-p) 1% (20MHz bandwidth)

Output Electrical Specifications

Model No.	Power	O/P 1	O/P2	OVP max
PU25-105	25W	+5V @ 5A		6.5V
PU25-112	25W	+12V @ 2.2A		15V
PU25-115	25W	+15V @ 1.7A		18V
PU25-124	25W	+24V @ 1.1A		27V
PU25-201	25W	+5V @ 4.5A	+12V @ 0.2A	6.5V
PU25-202	25W	+5V @ 3A	+12V @ 0.8A	6.5V
PU25-203	25W	+5V @ 2.5A	+12V @ 1A	6.5V
PU25-204	25W	+5V @ 1.5A	+12V @ 1.5A	6.5V



Mechanical Diagram



Output Connector Pin Assignment

PU25-203		PU25-124	
Pin	Connection	Pin	Connection
1	12V	1	N/C
2	5V	2	24V
3	5V	3	24V
4	0V	4	0V
5	0V	5	0V